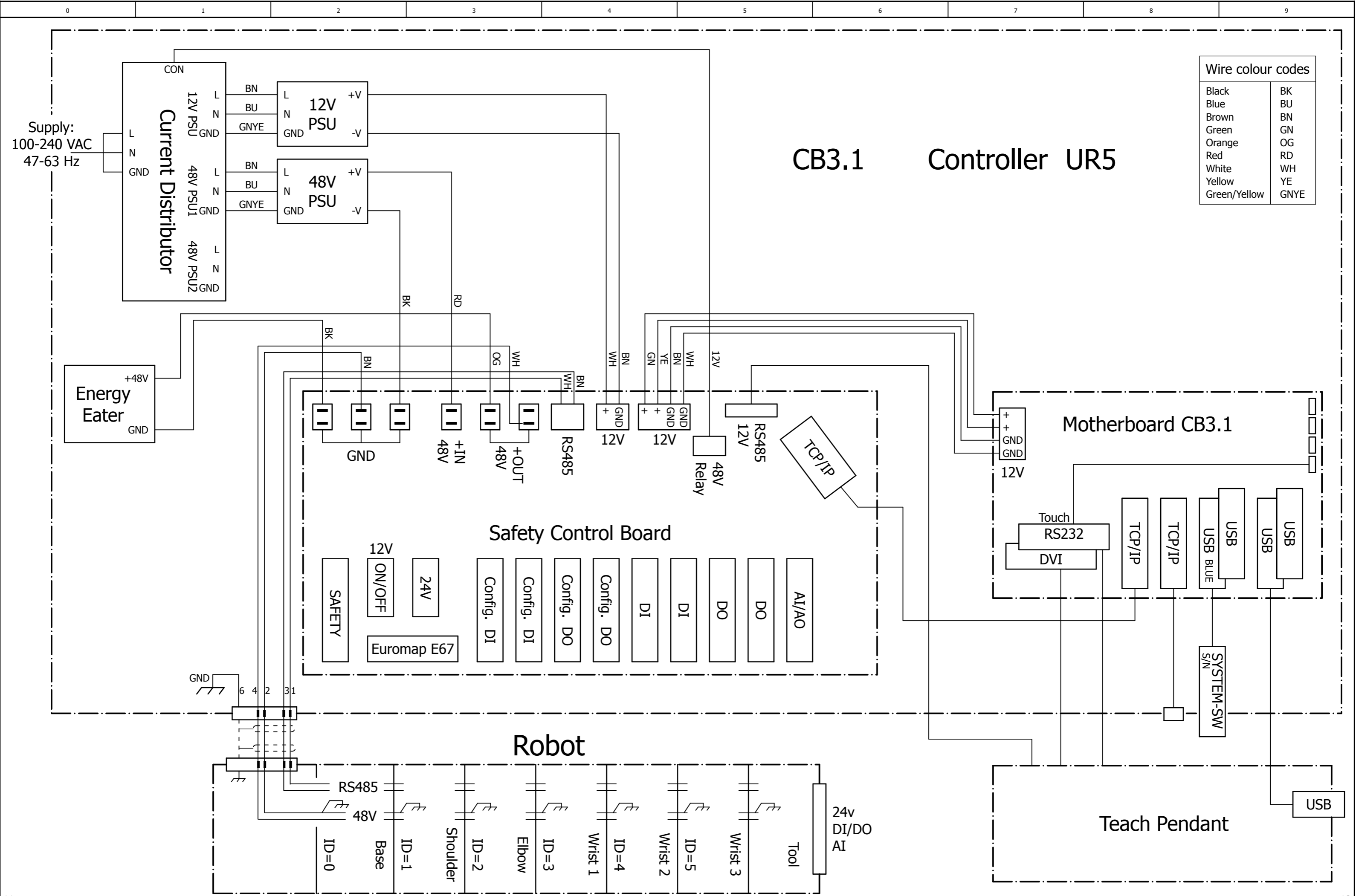
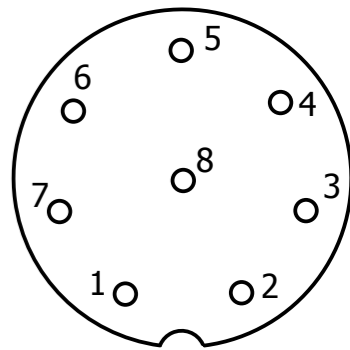
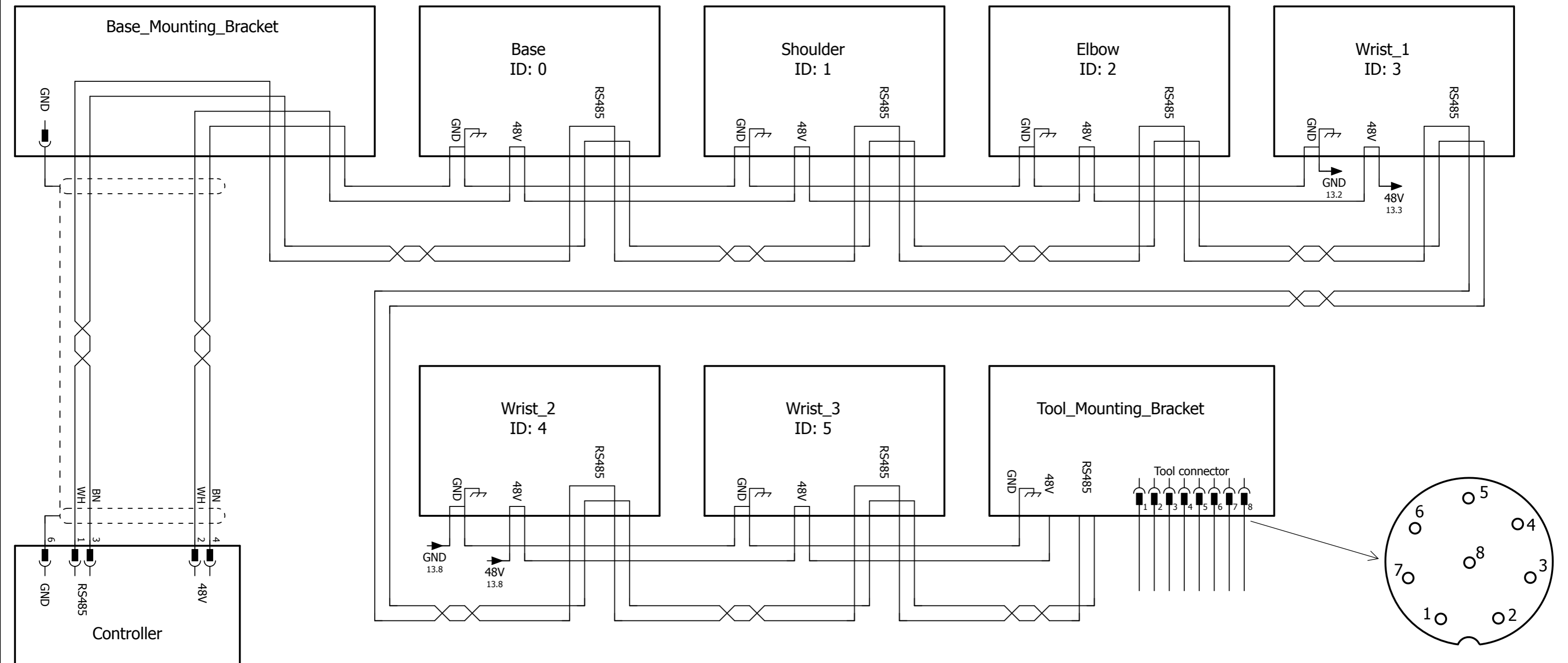


Wire colour codes	
Black	BK
Blue	BU
Brown	BN
Green	GN
Orange	OG
Red	RD
White	WH
Yellow	YE
Green/Yellow	GNYE

CB3.0 Controller UR5



CB3 UR5 Robot arm



- Lumberg Automation
Type: RSMEDG 8
Male Front view**
- 1 = white AI[2]
 - 2 = brown AI[3]
 - 3 = green DI[9] (pnp)
 - 4 = yellow DI[8] (pnp)
 - 5 = grey 12/24V (power)
 - 6 = pink DO[9] (npn)
 - 7 = blue DO[8] (npn)
 - 8 = red GND

			Date	02-12-2015	Universal Robots	Robot arm UR5		= UR5
			Ed.					+
			Appr					
Modification	Date	Name	Original		Replacement of	Replaced by		
							Dwg. No.:	3.0.5.2
								Page 13
								Page 19

-UR5
/15.0



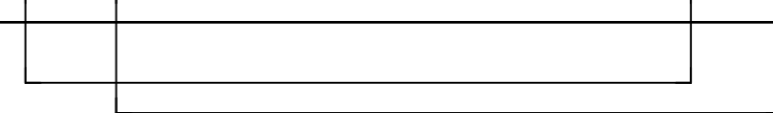
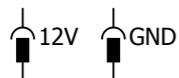
UNIVERSAL ROBOTS

CB3

UR5

Remote

Power



Default connections

			Date	02-12-2015	Universal Robots		UR5 Controller I/O		= UR5	
			Ed.						+	
			Appr							
Modification	Date	Name	Original		Replacement of	Replaced by			Dwg. No.:	3.0.5.2
									Page	17
									Page	19

