

SECTION B-B  
SCALE 1 : 1

All dimension is in mm  
For public use

This tool is using from date: 1/7-2016  
instead of no. 922706

Dimensions according to ISO 9409-1



**UNIVERSAL ROBOTS**

TEL: +45 89 93 89 89 FAX: +45 38 79 89 89 WEB: universal-robots.com

TITLE:

Tool UR 5

DATE

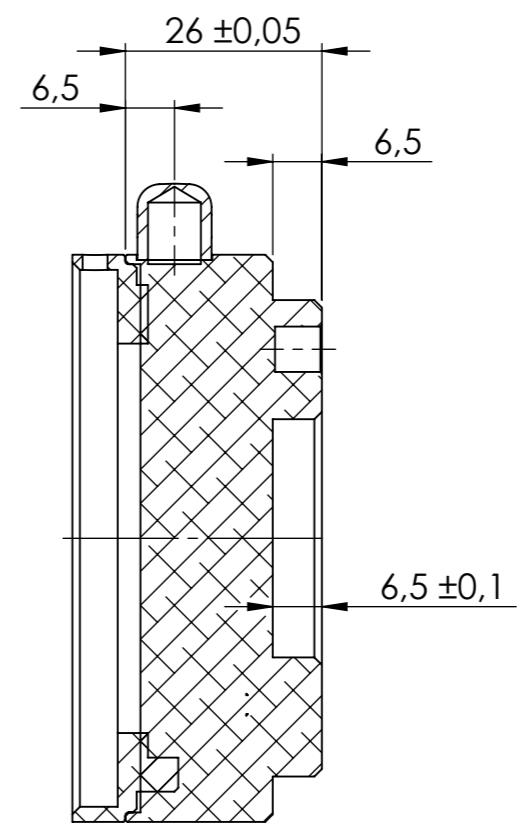
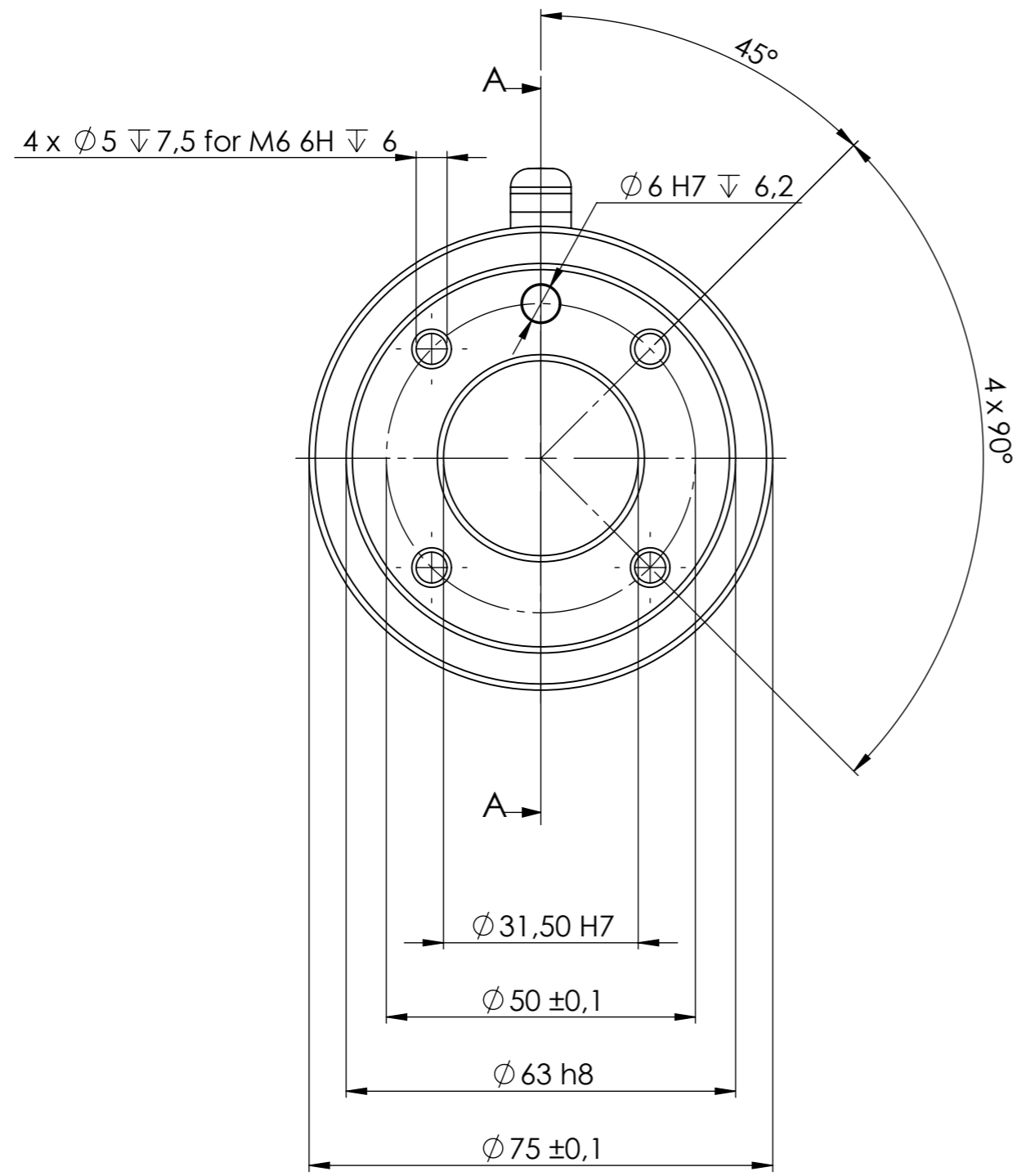
Status change date:

DWG NO.

922041

REV.

1




SECTION A-A

All dimension is in mm  
For public use

This tool is used until date: 1/7-2016  
after that we use no. 922041

Dimensions according to ISO 9409-1

|   |        |
|---|--------|
|  <b>UNIVERSAL ROBOTS</b><br><small>TEL: +45 89 93 89 89 FAX: +45 38 79 89 89 WEB: universal-robots.com</small> |        |
| TITLE: Tool UR5   |        |
| DATE:   |        |
| Status change date:   |        |
| DWG NO. 922706  | REV. 1 |